

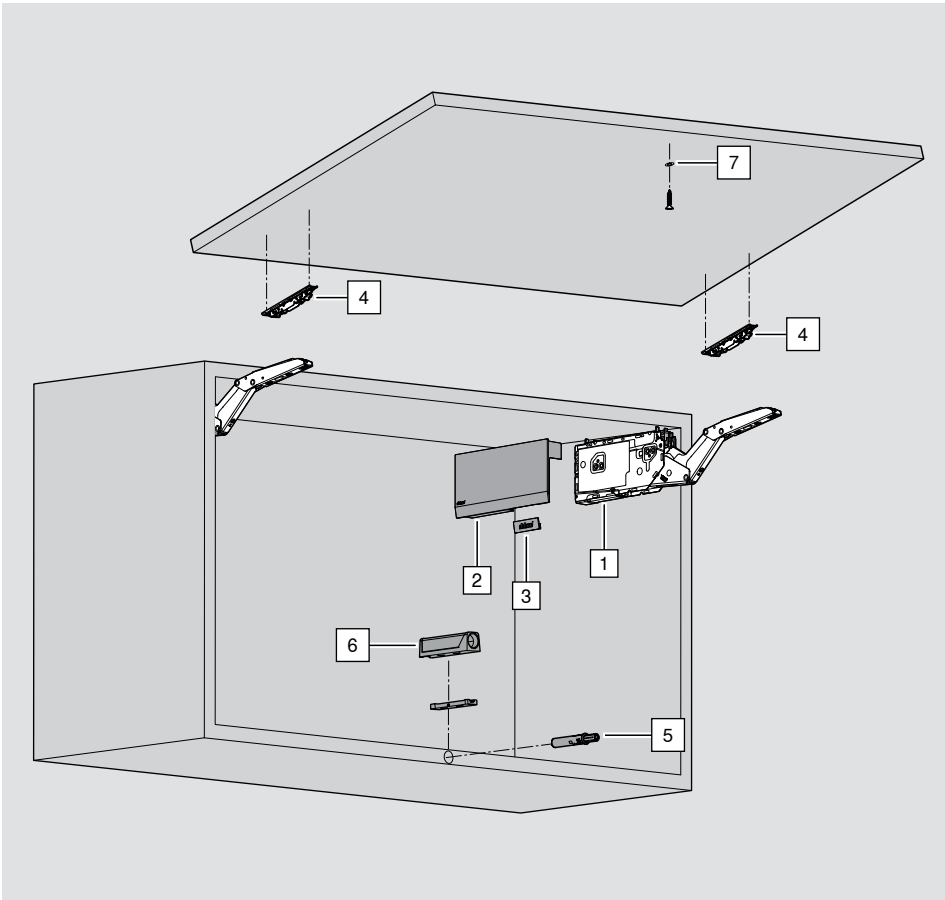


AVENTOS HK top

Technical data sheet

www.blum.com

 **blum**[®]



You can use the power factor to determine which lift mechanism is required. The power factor required depends on the weight of the front (incl. double the handle weight) and the cabinet height.

When using a third lift mechanism (a power factor increase of up to 50%), we recommend a trial application.

Note

We recommend a lift mechanism attached to the centre panel for wide cabinets. The reason for this is to prevent the middle of the front from sagging when open.

i This is how it's done: Power factor = cabinet height (KH) [mm] x front weight including double the handle weight [kg]

A trial application is recommended at the edge areas of the individual lift mechanisms.

1	Symmetrical lift mechanism with pre-mounted system screws					
	LF	OW Standard	OW TIP-ON		Standard	TIP-ON
	420–1.610	max. 107°	max. 107°	2 x	22K2311	22K2311T
	930–2.800	max. 107°	max. 107°	2 x	22K2511	22K2511T
	1.730–5.200	max. 107°	max. 100°	2 x	22K2711	22K2711T
	3.200–9.000	max. 107°	max. 100°	2 x	22K2911	22K2911T
Max. front weight 18 kg with two lift mechanisms						

Alternative

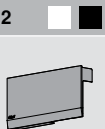
1	Symmetrical lift mechanism with chipboard screws incl. positioning template					
	LF	OW Standard	OW TIP-ON		Standard	TIP-ON
	420–1.610	max. 107°	max. 107°	2 x	22K2301	22K2301T
	930–2.800	max. 107°	max. 107°	2 x	22K2501	22K2501T
	1.730–5.200	max. 107°	max. 100°	2 x	22K2701	22K2701T
	3.200–9.000	max. 107°	max. 100°	2 x	22K2901	22K2901T
Max. front weight 18 kg with two lift mechanisms						

LF Power factor
OW Opening angle (infinitely adjustable)


AVENTOS HK top





Order specification

2		Large cover cap		
		Plastic light grey, silk white, dark grey		
		left/right	1 x	22K8001


3		Small cover cap		
		Plastic		
		plain, dark grey	2 x	ABD.1000
		printed ¹ , dark grey	2 x	ABD.1000.BL
		plain, in-mould brushed	2 x	ABD.1009
		printed ¹ , in-mould brushed	2 x	ABD.1009.BL
		can be printed with customer logo – minimum from 1000 pcs		
		¹ with Blum logo		


4		Symmetrical front fixing brackets		
		Nickel plated		
		Wooden fronts and wide alu frames*	2 x	20S4201
		EXPANDO	2 x	20S42E1
		EXPANDO T	2 x	20S42T1
		Narrow alu frames	2 x	20S4201A

5		TIP-ON		
		Plastic		
		SW, PG, TS**		
		For drilling		
		Short version: up to KH 500 mm	1 x	956.1002
		Long version: from KH 501 mm	1 x	956A1002


6		Straight adapter plate***		
		Plastic, screws		
		SW, PG, TS, NI-L**		
		Short version	1 x	956.1201
		Long version	1 x	956A1201


Alternative

	Cruciform adapter plate***			
	Plastic, screws			
	PG**			
	Long version – screws	1 x		956A1501

7		Screw-on catch plate		
		Steel, nickel plated		
		Ø 15 mm	1 x	955.1008S
		For hard surfaces and/or MDF Ø 2.5 mm pre-drilling and countersinking, if required		

Alternative

	Press-in catch plate			
	Steel, nickel plated			
	Ø 11.5 mm			
	Pre-drill (Ø 5 mm)	1 x		955.1008D

	Glue-on catch plate			
	Steel, nickel plated	1 x		955.1008
	13 x 18 mm			

* Use 4 chipboard screws (609.1x00) for wooden fronts. Use 4 counter sunk self-tapping screws (660.0950) for wide alu frames.

** SW= silk white, PG= platinum grey, TS= terra black, NI-L= nickel-lacquered

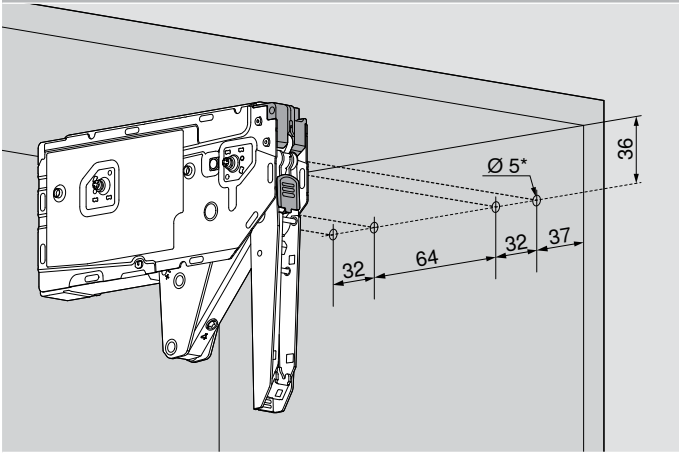
*** Assemble using Ø 3.5 mm or Ø 4 mm chipboard screws. TIP-ON must be ordered separately.

AVENTOS HK top



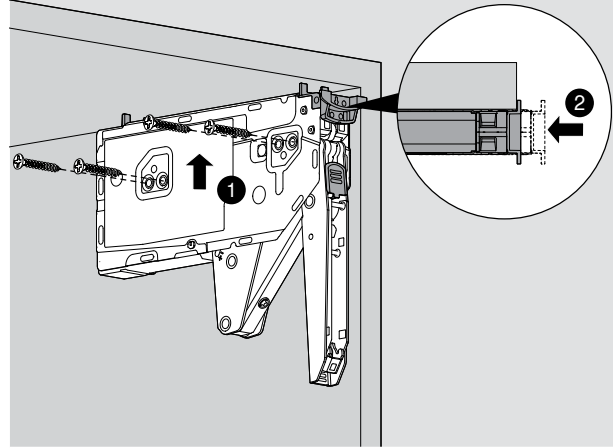
Planning

Fixing positions for lift mechanism with pre-mounted system screws



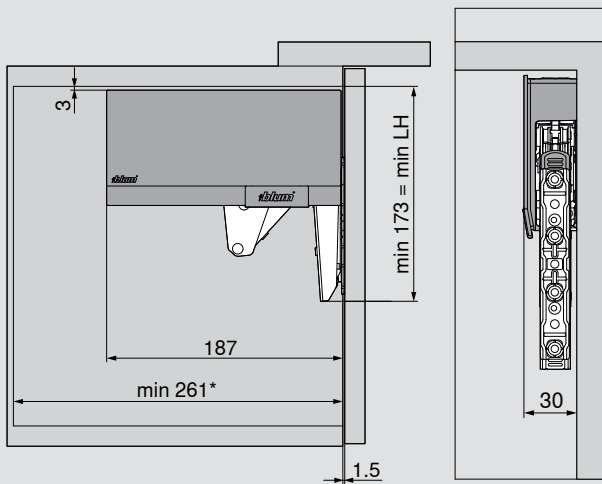
* Drilling depth 11.5 mm

Fixing positions for lift mechanism with chipboard screws incl. positioning template



4 x Ø 4 x 35 mm

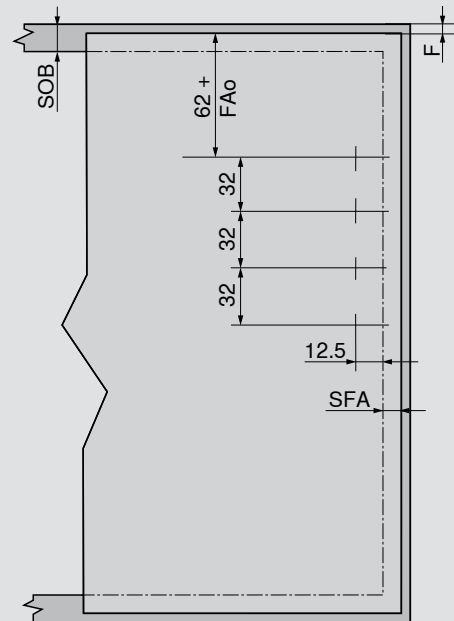
Space requirement



Cabinet height max. 600 mm

* min. 261 with visible wall hanging bracket

Front assembly for wooden fronts and wide alu frames*



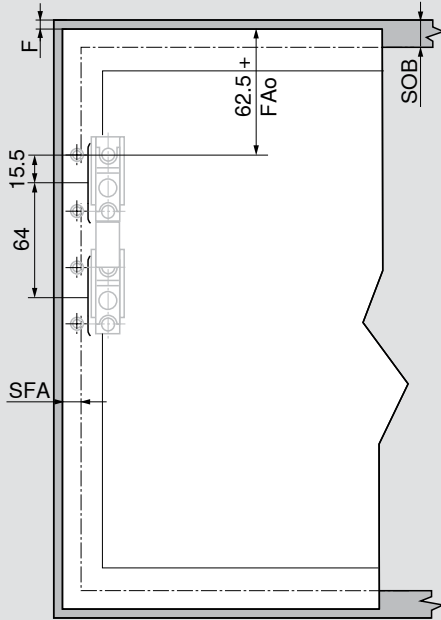
Wall application: Requires 5 mm minimum gap

* Use 4 chipboard screws (609.1x00) for wooden fronts.
Use 4 countersunk self tapping screws (660.0950) for wide alu frames.

F Gap
FAo Upper front overlay
LH Internal cabinet height

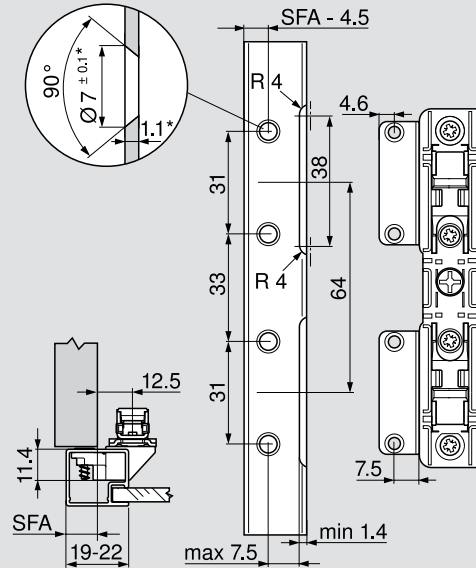
SFA Front overlay of the side panel
SOB Top panel thickness

Front assembly for narrow alu frames



Wall application: Requires 5 mm minimum gap

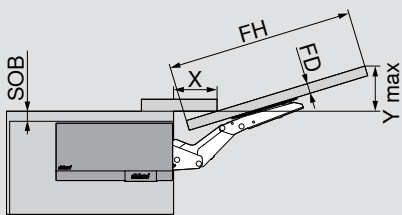
Planning for narrow alu frames



For frame width 19 mm: SFA of 11–18 mm possible

* When changing material thickness, adjust the assembly dimensions accordingly

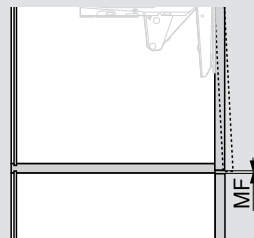
Cornice and crown space requirement



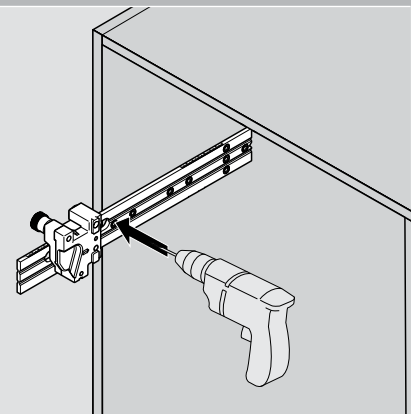
FD (mm)	16	19	22	26	28
X (mm)	70	59	49	35	26

$$Y = FH \times 0.29 + FD - SOB$$

Minimum gap



Cabinet assembly



Drilling template

65.1051.01

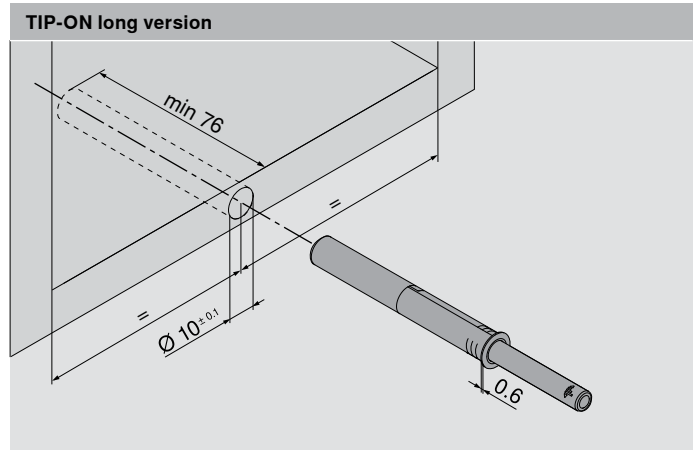
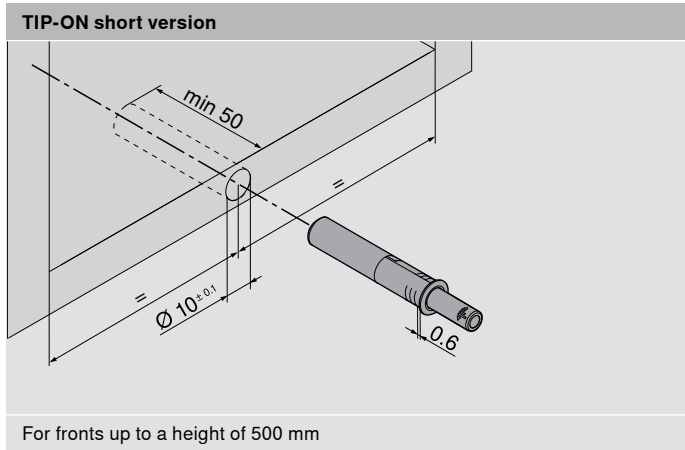
can be used for all lift systems

FD Front thickness
F Gap
FA0 Upper front overlay

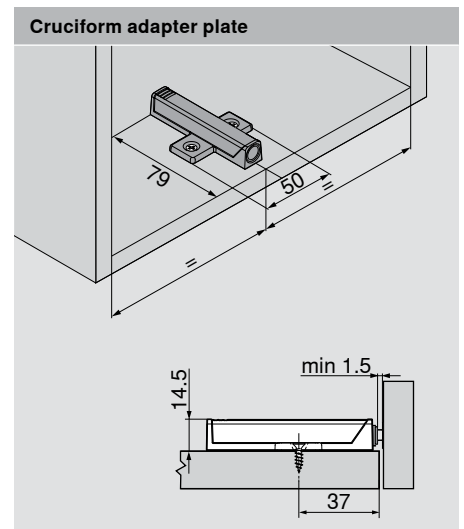
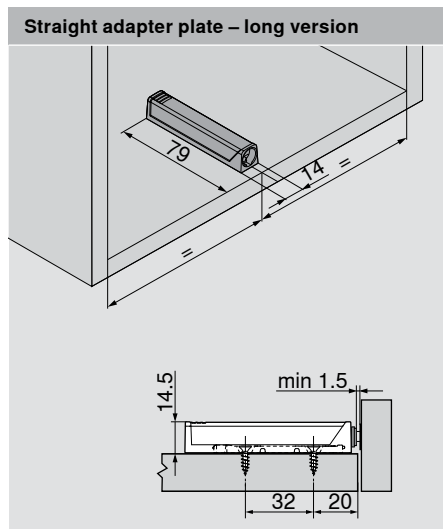
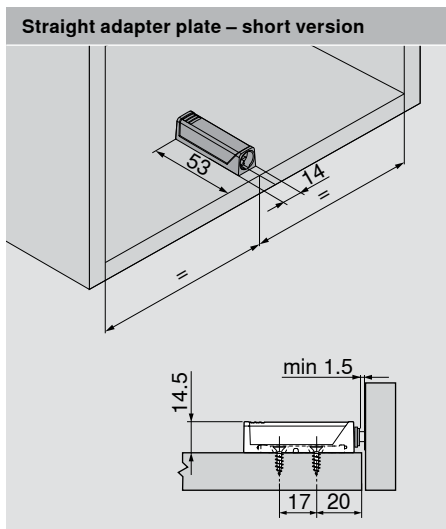
FH Front height
MF Minimum gap for opening (2 mm)
SFA Front overlay of the side panel

SOB Top panel thickness

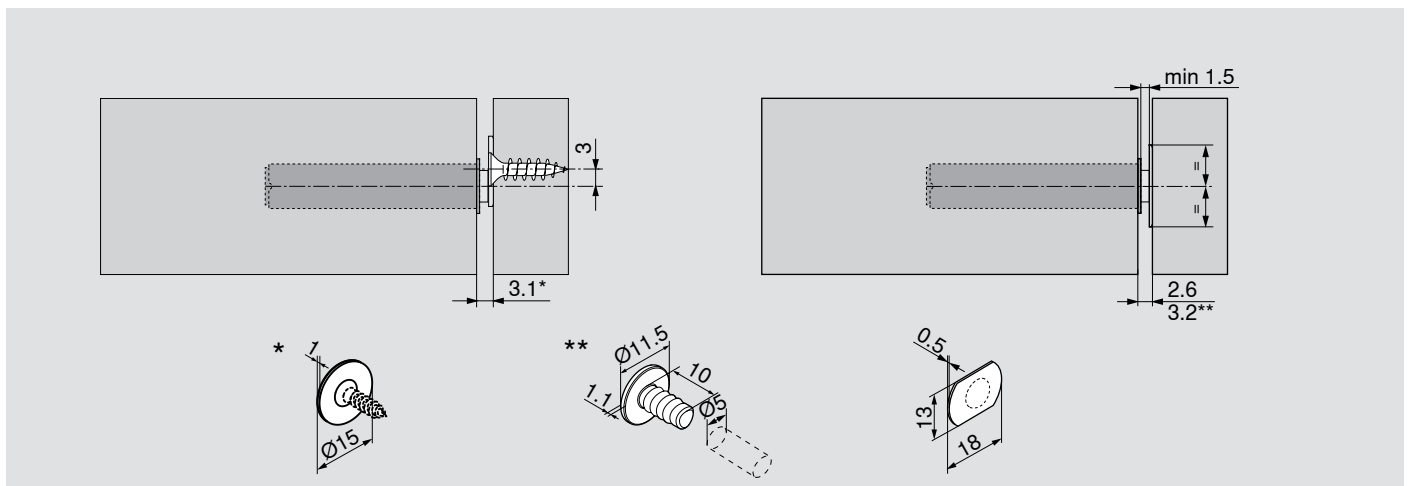
Fixing position



TIP-ON adapter plate fixing position

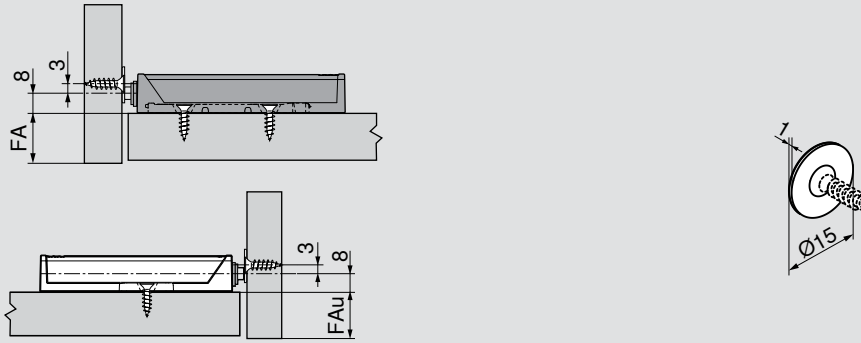


Installation dimensions for front gap

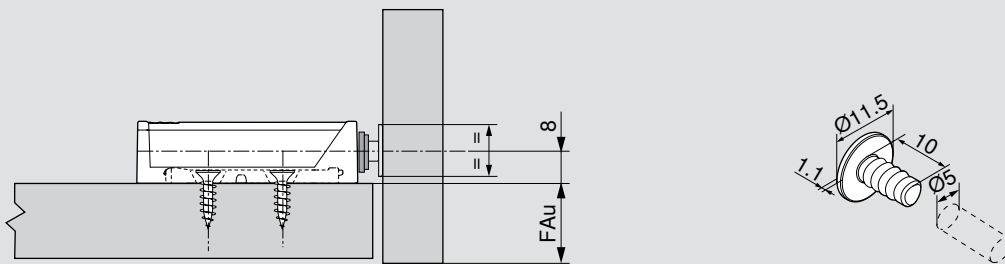


Installation dimensions for straight adapter plate

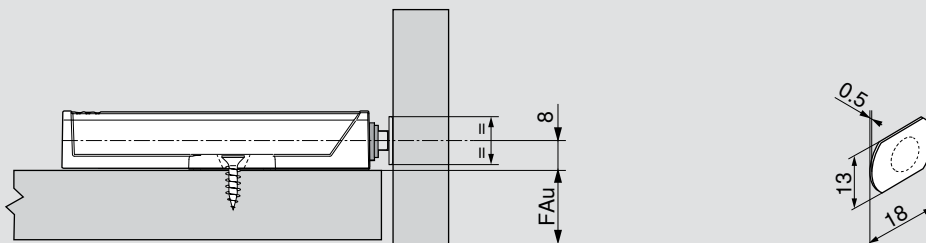
Screw-on catch plate



Press-in catch plate



Glue-on catch plate



FA Front overlay
FAu Bottom front overlay

Julius Blum GmbH
Furniture Fittings Mfg.
6973 Höchst, Austria
Tel.: +43 5578 705-0
Fax: +43 5578 705-44
E-mail: info@blum.com
www.blum.com

